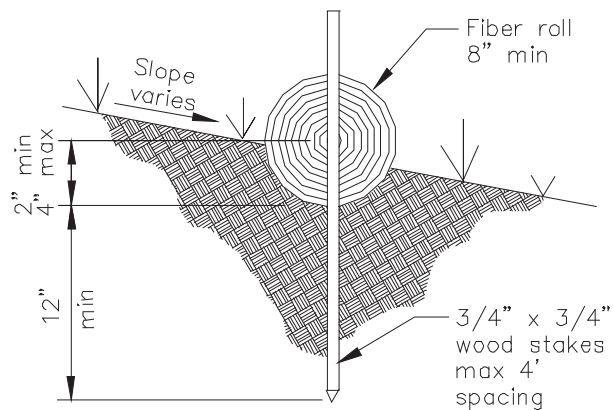


TYPICAL FIBER ROLL INSTALLATION

N.T.S.



ENTRENCHMENT DETAIL

N.T.S.

**NOTES:**

- If more than one fiber roll is placed in a row, the rolls must be overlapped, not abutted.
- Turn the ends of the fiber roll up-slope to prevent runoff from going around the roll.